

# String Encoder

Mates to Virtually Any Encoder  
 Ranges: 0-75 to 0-550 inches  
 Available With or Without Encoder

# PT9600

## Specification Summary:

### GENERAL

Full Stroke Range Options—*on this datasheet* . . . . . 0-75 to 0-550 inches  
 Motion Conversion Ratio . . . . . 12.6 inches per turn, *see ordering information*  
 Accuracy  
 Typical . . . . . the lesser of 0.02% f.s. or 0.04% of measurement  $\pm 1/2$  pulse max.  
 Best . . . . . not less than 0.001 in. (0.03 mm)  
 Repeatability . . . . .  $\pm 0.02\%$  of measurement  $\pm 1/2$  pulse max.  
 Measuring Cable Options . . . . . nylon-coated stainless steel or thermoplastic  
 Enclosure Material Options . . . . . powder-painted aluminum or stainless steel  
 Encoder Shaft Coupling . . . . . aluminum flexible coupling  
 Maximum Allowable Rotational Sensor Torque . . . . . 1.0 in.-lbs.  
 Maximum Retraction Acceleration . . . . . *see ordering information*  
 Maximum Velocity . . . . . *see ordering information*  
 Weight, Aluminum (Stainless Steel) Enclosure . . . . . 8 lbs. (16 lbs.) max.

### ENVIRONMENTAL

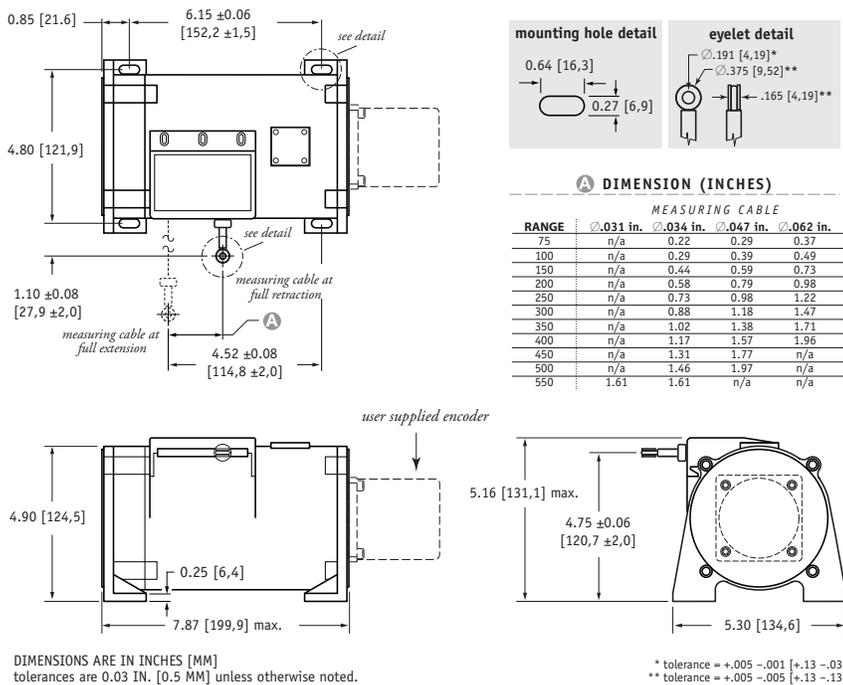
Operating Temperature . . . . .  $-40^{\circ}$  to  $200^{\circ}$ F ( $-40^{\circ}$  to  $90^{\circ}$ C)



Our unique string encoder module mates to virtually any encoder, giving you a cost-effective long-range linear position measurement solution that precisely fits your requirements.

This modular approach delivers the ultimate in flexibility. To order, simply select the measurement range, the cable tension and encoder mounting style—it's that easy! We even supply all the necessary encoder mounting tools and attaching hardware. If you can't find your encoder mounting style or you want us to provide the encoder, please give us a call.

Fig. 1 – Outline Drawing (18 oz. cable tension only)



**Ordering Information:**

**Model Number:**

**PT9600-** \_\_\_\_\_ **R** \_\_\_\_\_ **A** \_\_\_\_\_ **B** \_\_\_\_\_ **G** \_\_\_\_\_ **D**

*order code:*

Sample Model Number:

**PT9600 - 0200 - 111 - F01**

- R** range: 200 inches
- A** enclosure / cable tension: aluminum / 18 oz.
- B** measuring cable: .034 nylon-coated stainless steel
- G** cable exit: front
- D** rotational sensor mounting style: F01 (2.5-in. sq. flange)

» *Trying to reorder but can't find your existing model number? Please contact factory for help.*

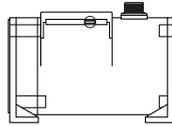
**Full Stroke Range:**

<b>R</b> order code:	<b>0075</b>	<b>0100</b>	<b>0150</b>	<b>0200</b>	<b>0250</b>	<b>0300</b>	<b>0350</b>	<b>0400</b>	<b>0450*</b>	<b>0500*</b>	<b>0550*</b>
full stroke range, min:	75 in.	100 in.	150 in.	200 in.	250 in.	300 in.	350 in.	400 in.	450 in.	500 in.	550 in.

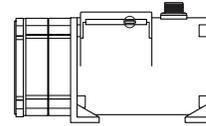
\* - 36 oz. cable tension strongly recommended

**Enclosure Material and Measuring Cable Tension:**

<b>A</b> order code:	<b>1</b>	<b>3</b>	<b>2</b>	<b>4</b>
tension ( $\pm 30\%$ ):	18 oz.		36 oz.	
enclosure material:	powder-painted aluminum	303 stainless steel	powder-painted aluminum	303 stainless steel
max. acceleration:	1 G	.33 G	5 G	2 G
max. velocity:	60 inches/sec	20 inches/sec	200 inches/sec	80 inches/sec



standard housing  
see fig 1.

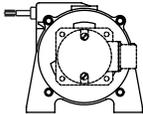
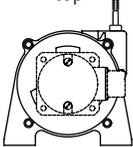
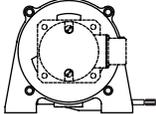
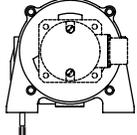


dual-spring housing  
see fig 2.

**Measuring Cable / Conversion Ratio:**

<b>B</b> order code:	<b>1</b>	<b>2</b>	<b>3</b>	<b>4</b>
measuring cable:	.034 nylon-coated stainless steel	.047 stainless steel	.062 thermoplastic	.031 stainless steel
conversion ratio, aluminum enclosure:	1 turn = 12.673 $\pm$ 0.010 in.	1 turn = 12.714 $\pm$ 0.010 in.	1 turn = 12.755 $\pm$ 0.010 in.	1 turn = 12.664 $\pm$ 0.010 in.
conversion ratio, stainless enclosure:	1 turn = 12.579 $\pm$ 0.016 in. <i>available in all ranges</i>	1 turn = 12.620 $\pm$ 0.016 in. <i>all ranges up to 500 inches</i>	1 turn = 12.661 $\pm$ 0.016 in. <i>all ranges up to 400 inches</i>	1 turn = 12.569 $\pm$ 0.016 in. <i>550 inch range only</i>

**Cable Exit:**

<b>G</b> order code:	<b>1</b>	<b>2</b>	<b>3</b>	<b>4</b>
	front	top	back	down
				

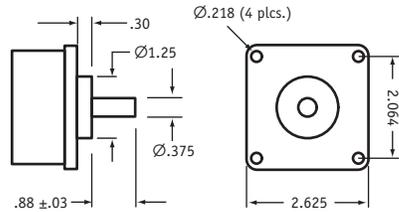
**Ordering Information:**

**Rotational Sensor Mounting Style:**

① order code:	F01	F02	S01	S02	S04
	2.5-in. Flange Mount 3/8-inch shaft	2-in. Flange Mount 3/8-inch shaft	Face-Mount 6 mm shaft M4 mounting screws	Face-Mount 10 mm shaft M4 mounting screws	Face-Mount 10 mm shaft M3 mounting screws

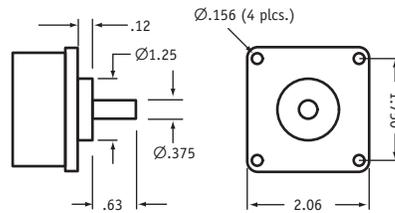
*Note: If you don't see your encoder style, please contact factory. All encoder types supported.*

**F01 - 2½-inch Sq. Flange Mount (3/8-inch shaft)**



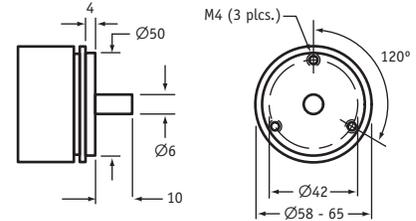
all dimensions are in inches

**F02 - 2-inch Sq. Flange Mount (3/8-inch shaft)**



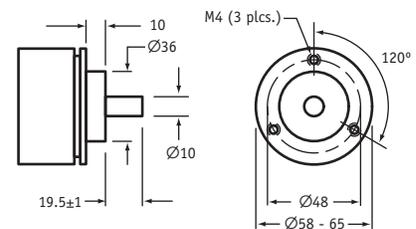
all dimensions are in inches

**S01 - Face-Mount (6mm shaft/M4 screws)**



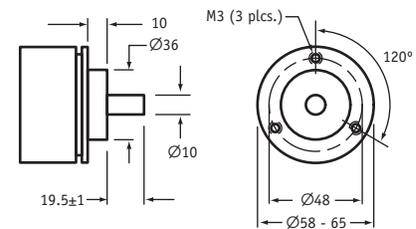
all dimensions are in mm

**S02 - Face-Mount (10mm shaft/M4 screws)**



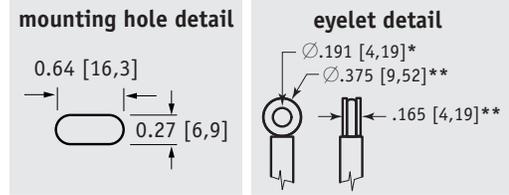
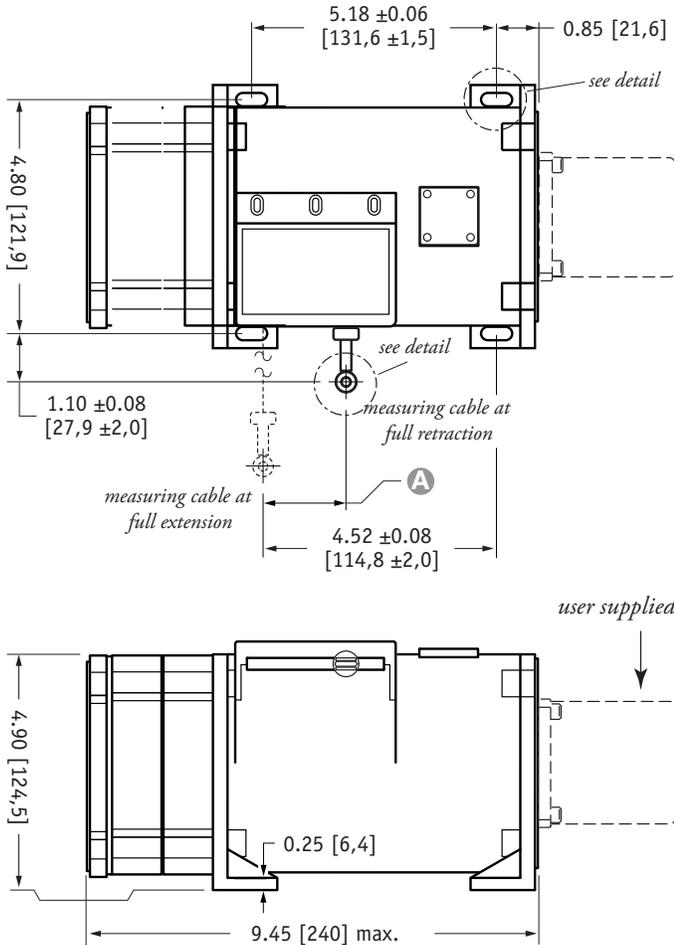
all dimensions are in mm

**S04 - Face-Mount (10mm shaft/M3 screws)**



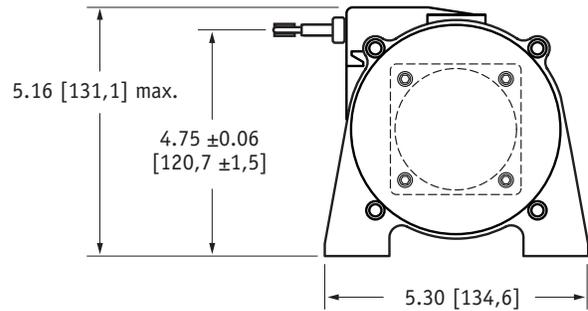
all dimensions are in mm

Fig. 2 – Outline Drawing (36 oz. cable tension only)



**A DIMENSION (INCHES)**

RANGE	MEASURING CABLE			
	∅.031 in.	∅.034 in.	∅.047 in.	∅.062 in.
75	n/a	0.22	0.29	0.37
100	n/a	0.29	0.39	0.49
150	n/a	0.44	0.59	0.73
200	n/a	0.58	0.79	0.98
250	n/a	0.73	0.98	1.22
300	n/a	0.88	1.18	1.47
350	n/a	1.02	1.38	1.71
400	n/a	1.17	1.57	1.96
450	n/a	1.31	1.77	n/a
500	n/a	1.46	1.97	n/a
550	1.61	1.61	n/a	n/a



DIMENSIONS ARE IN INCHES [MM]  
tolerances are 0.03 IN. [0.5 MM] unless otherwise noted.

\* tolerance = +.005 -.001 [+.13 -.03]  
\*\* tolerance = +.005 -.005 [+.13 -.13]

北京赛斯维测控技术有限公司  
北京市朝阳区望京西路48号  
金隅国际C座1002  
电话：+ 86 010 8477 5646  
传真：+ 86 010 5894 9029  
邮箱：[sales@sensorway.cn](mailto:sales@sensorway.cn)  
<http://www.sensorway.cn>

version: 6.0 last updated: August 16, 2013

**celesco**

[www.sensorway.cn](http://www.sensorway.cn) • [sales@sensorway.cn](mailto:sales@sensorway.cn)