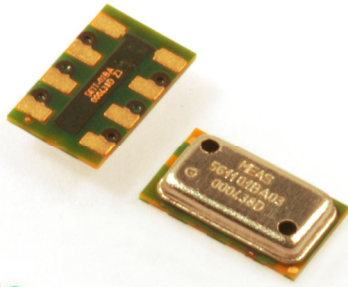


MS5611-01BA03 Variometer Module, with stainless steel cap



- High resolution module, 10 cm
- Fast conversion down to 1 ms
- Low power, 1 μ A (standby < 0.15 μ A)
- QFN package 5.0 x 3.0 x 1.0 mm³
- Supply voltage 1.8 to 3.6 V
- Integrated digital pressure sensor (24 bit $\Delta\Sigma$ ADC)
- Operating range: 10 to 1200 mbar, -40 to +85 °C
- I²C and SPI interface up to 20 MHz
- No external components (Internal oscillator)
- Excellent long term stability

DESCRIPTION

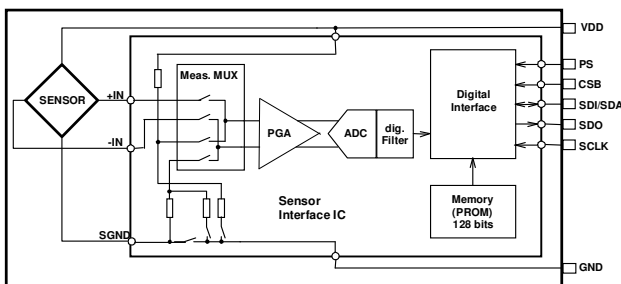
The MS5611-01BA is a new generation of high resolution altimeter sensors from MEAS Switzerland with SPI and I²C bus interface. It is optimized for altimeters and variometers with an altitude resolution of 10 cm. The sensor module includes a high linearity pressure sensor and an ultra low power 24 bit $\Delta\Sigma$ ADC with internal factory calibrated coefficients. It provides a precise digital 24 Bit pressure and temperature value and different operation modes that allow the user to optimize for conversion speed and current consumption. A high resolution temperature output allows the implementation of an altimeter/thermometer function without any additional sensor. The MS5611-01BA can be interfaced to virtually any microcontroller. The communication protocol is simple, without the need of programming internal registers in the device. Small dimensions of only 5.0 mm x 3.0 mm and a height of only 1.0 mm allow for integration in mobile devices. This new sensor module generation is based on leading MEMS technology and latest benefits from MEAS Switzerland proven experience and know-how in high volume manufacturing of altimeter modules, which have been widely used for over a decade. The sensing principle employed leads to very low hysteresis and high stability of both pressure and temperature signal.

FEATURES

FIELD OF APPLICATION

- Mobile altimeter / barometer systems
- Bike computers
- Variometers
- Height sensing for medical alarms
- Indoor navigation

FUNCTIONAL BLOCK DIAGRAM



TECHNICAL DATA

| Sensor Performances (V _{DD} = 3 V) | | | | |
|--|---------------------------------------|-----|------|---------|
| Pressure | Min | Typ | Max | Unit |
| Range | 10 | | 1200 | mbar |
| ADC | 24 | | | bit |
| Resolution (1) | 0.065 / 0.042 / 0.027 / 0.018 / 0.012 | | | mbar |
| Accuracy 25°C, 750 mbar | -1.5 | | +1.5 | mbar |
| Error band, -20°C to +85°C 450 to 1100 mbar (2) | -2.5 | | +2.5 | mbar |
| Response time (1) | 0.5 / 1.1 / 2.1 / 4.1 / 8.22 | | | ms |
| Long term stability | | -1 | | mbar/yr |
| Temperature | Min | Typ | Max | Unit |
| Range | -40 | | +85 | °C |
| Resolution | <0.01 | | | °C |
| Accuracy | -0.8 | | +0.8 | °C |
| Notes: (1) Oversampling Ratio: 256 / 512 / 1024 / 2048 / 4096 (2) With autozero at one pressure point | | | | |

MS5611-01BA03 Variometer Module, with stainless steel cap

PERFORMANCE SPECIFICATIONS

ABSOLUTE MAXIMUM RATINGS

| Parameter | Symbol | Conditions | Min. | Typ. | Max | Unit |
|-------------------------------|-----------|----------------------|------|------|------|------|
| Supply voltage | V_{DD} | | -0.3 | | +4.0 | V |
| Storage temperature | T_S | | -40 | | +125 | °C |
| Overpressure | P_{max} | | | | 6 | bar |
| Maximum Soldering Temperature | T_{max} | 40 sec max | | | 250 | °C |
| ESD rating | | Human Body Model | -4 | | +4 | kV |
| Latch up | | JEDEC standard No 78 | -100 | | +100 | mA |

ELECTRICAL CHARACTERISTICS

| Parameter | Symbol | Conditions | Min. | Typ. | Max | Unit |
|---------------------------------------|----------|---|------|----------------------------------|------|---------|
| Operating Supply voltage | V_{DD} | | 1.8 | 3.0 | 3.6 | V |
| Operating Temperature | T | | -40 | +25 | +85 | °C |
| Supply current (1 sample per sec.) | I_{DD} | OSR 4096 2048 1024 512 256 | | 12.5 6.3 3.2 1.7 0.9 | | μ A |
| Peak supply current | | during conversion | | 1.4 | | mA |
| Standby supply current | | at 25°C | | 0.02 | 0.14 | μ A |
| VDD Capacitor | | From VDD to GND | 100 | | | nF |

ANALOG DIGITAL CONVERTER (ADC)

| Parameter | Symbol | Conditions | Min. | Typ. | Max | Unit |
|-----------------|--------|---|--------------------------------------|--------------------------------------|--------------------------------------|------|
| Output Word | | | | 24 | | bit |
| Conversion time | t_c | OSR 4096 2048 1024 512 256 | 7.40 3.72 1.88 0.95 0.48 | 8.22 4.13 2.08 1.06 0.54 | 9.04 4.54 2.28 1.17 0.60 | ms |

MS5611-01BA03 Variometer Module, with stainless steel cap

PERFORMANCE SPECIFICATIONS (CONTINUED)

PRESSURE OUTPUT CHARACTERISTICS ($V_{DD} = 3\text{ V}$, $T = 25\text{ °C}$ UNLESS OTHERWISE NOTED)

| Parameter | Conditions | | Min. | Typ. | Max | Unit |
|--|--|---------------------|------|-------|------|---------|
| Operating Pressure Range | P_{range} | Full Accuracy | 450 | | 1100 | mbar |
| Extended Pressure Range | P_{ext} | Linear Range of ADC | 10 | | 1200 | mbar |
| Total Error Band, no autozero | at 25 °C, 700..1100 mbar | | -1.5 | | +1.5 | mbar |
| | at 0..50 °C, 450..1100 mbar | | -2.0 | | +2.0 | |
| | at -20..85 °C, 450..1100 mbar | | -3.5 | | +3.5 | |
| | at -40..85 °C, 450..1100 mbar | | -6.0 | | +6.0 | |
| Total Error Band, autozero at one pressure point | at 25 °C, 700..1100 mbar | | -0.5 | | +0.5 | mbar |
| | at 10..50 °C, 450..1100 mbar | | -1.0 | | +1.0 | |
| | at -20..85 °C, 450..1100 mbar | | -2.5 | | +2.5 | |
| | at -40..85 °C, 450..1100 mbar | | -5.0 | | +5.0 | |
| Maximum error with supply voltage | $V_{DD} = 1.8\text{ V} \dots 3.6\text{ V}$ | | -2.5 | | +2.5 | mbar |
| Long-term stability | | | | -1 | | mbar/yr |
| Recovering time after reflow (1) | | | | 7 | | days |
| Resolution RMS | OSR | 4096 | | 0.012 | | mbar |
| | | 2048 | | 0.018 | | |
| | | 1024 | | 0.027 | | |
| | | 512 | | 0.042 | | |
| | | 256 | | 0.065 | | |

(1) Time to recovering at least 66% of the reflow impact

TEMPERATURE OUTPUT CHARACTERISTICS ($V_{DD} = 3\text{ V}$, $T = 25\text{ °C}$ UNLESS OTHERWISE NOTED)

| Parameter | Conditions | | Min. | Typ. | Max | Unit |
|-----------------------------------|--|------|------|-------|------|------|
| Absolute Accuracy | at 25 °C | | -0.8 | | +0.8 | °C |
| | -20..85 °C | | -2.0 | | +2.0 | |
| | -40..85 °C | | -4.0 | | +4.0 | |
| Maximum error with supply voltage | $V_{DD} = 1.8\text{ V} \dots 3.6\text{ V}$ | | -0.5 | | +0.5 | °C |
| Resolution RMS | OSR | 4096 | | 0.002 | | °C |
| | | 2048 | | 0.003 | | |
| | | 1024 | | 0.005 | | |
| | | 512 | | 0.008 | | |
| | | 256 | | 0.012 | | |

MS5611-01BA03 Variometer Module, with stainless steel cap

PERFORMANCE SPECIFICATIONS (CONTINUED)

DIGITAL INPUTS (CSB, I²C, DIN, SCLK)

| Parameter | Symbol | Conditions | Min. | Typ. | Max | Unit |
|-----------------------|--|--------------|---------------------|------|----------------------|------|
| Serial data clock | SCLK | SPI protocol | | | 20 | MHz |
| Input high voltage | V _{IH} | Pins CSB | 80% V _{DD} | | 100% V _{DD} | V |
| Input low voltage | V _{IL} | | 0% V _{DD} | | 20% V _{DD} | V |
| Input leakage current | I _{leak25°C} I _{leak85°C} | at 25°C | | | 0.15 | μA |

PRESSURE OUTPUTS (I²C, DOUT)

| Parameter | Symbol | Conditions | Min. | Typ. | Max | Unit |
|---------------------|-------------------|------------------------------|---------------------|------|----------------------|------|
| Output high voltage | V _{OH} | I _{source} = 1.0 mA | 80% V _{DD} | | 100% V _{DD} | V |
| Output low voltage | V _{OL} | I _{sink} = 1.0 mA | 0% V _{DD} | | 20% V _{DD} | V |
| Load capacitance | C _{LOAD} | | | | 16 | pF |

MS5611-01BA03 Variometer Module, with stainless steel cap

FUNCTIONAL DESCRIPTION

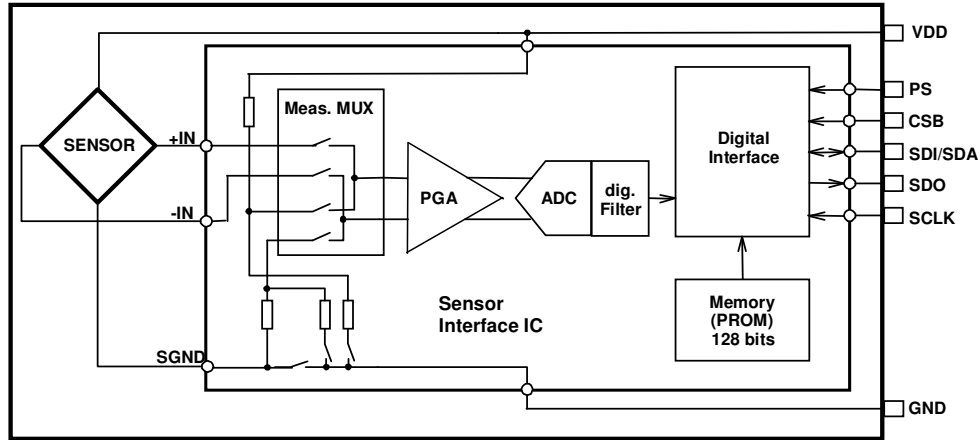


Figure 1: Block diagram of MS5611-01BA

GENERAL

The MS5611-01BA consists of a piezo-resistive sensor and a sensor interface IC. The main function of the MS5611-01BA is to convert the uncompensated analogue output voltage from the piezo-resistive pressure sensor to a 24-bit digital value, as well as providing a 24-bit digital value for the temperature of the sensor.

FACTORY CALIBRATION

Every module is individually factory calibrated at two temperatures and two pressures. As a result, 6 coefficients necessary to compensate for process variations and temperature variations are calculated and stored in the 128-bit PROM of each module. These bits (partitioned into 6 coefficients) must be read by the microcontroller software and used in the program converting D1 and D2 into compensated pressure and temperature values.

SERIAL INTERFACE

The MS5611-01BA has built in two types of serial interfaces: SPI and I²C. Pulling the Protocol Select pin PS to low selects the SPI protocol, pulling PS to high activates the I²C bus protocol.

| Pin PS | Mode | Pins used |
|--------|------------------|---------------|
| High | I ² C | SDA |
| Low | SPI | SDI, SDO, CSB |

SPI MODE

The external microcontroller clocks in the data through the input SCLK (Serial CLock) and SDI (Serial Data In). In the SPI mode module can accept both mode 0 and mode 3 for the clock polarity and phase. The sensor responds on the output SDO (Serial Data Out). The pin CSB (Chip Select) is used to enable/disable the interface, so that other devices can talk on the same SPI bus. The CSB pin can be pulled high after the command is sent or after the end of the command execution (for example end of conversion). The best noise performance from the module is obtained when the SPI bus is idle and without communication to other devices during the ADC conversion.

MS5611-01BA03 Variometer Module, with stainless steel cap

I²C MODE

The external microcontroller clocks in the data through the input SCLK (Serial CLock) and SDA (Serial DAta). The sensor responds on the same pin SDA which is bidirectional for the I²C bus interface. So this interface type uses only 2 signal lines and does not require a chip select, which can be favorable to reduce board space. In I²C-Mode the complement of the pin CSB (Chip Select) represents the LSB of the I²C address. It is possible to use two sensors with two different addresses on the I²C bus. The pin CSB shall be connected to VDD or GND (do not leave unconnected!).

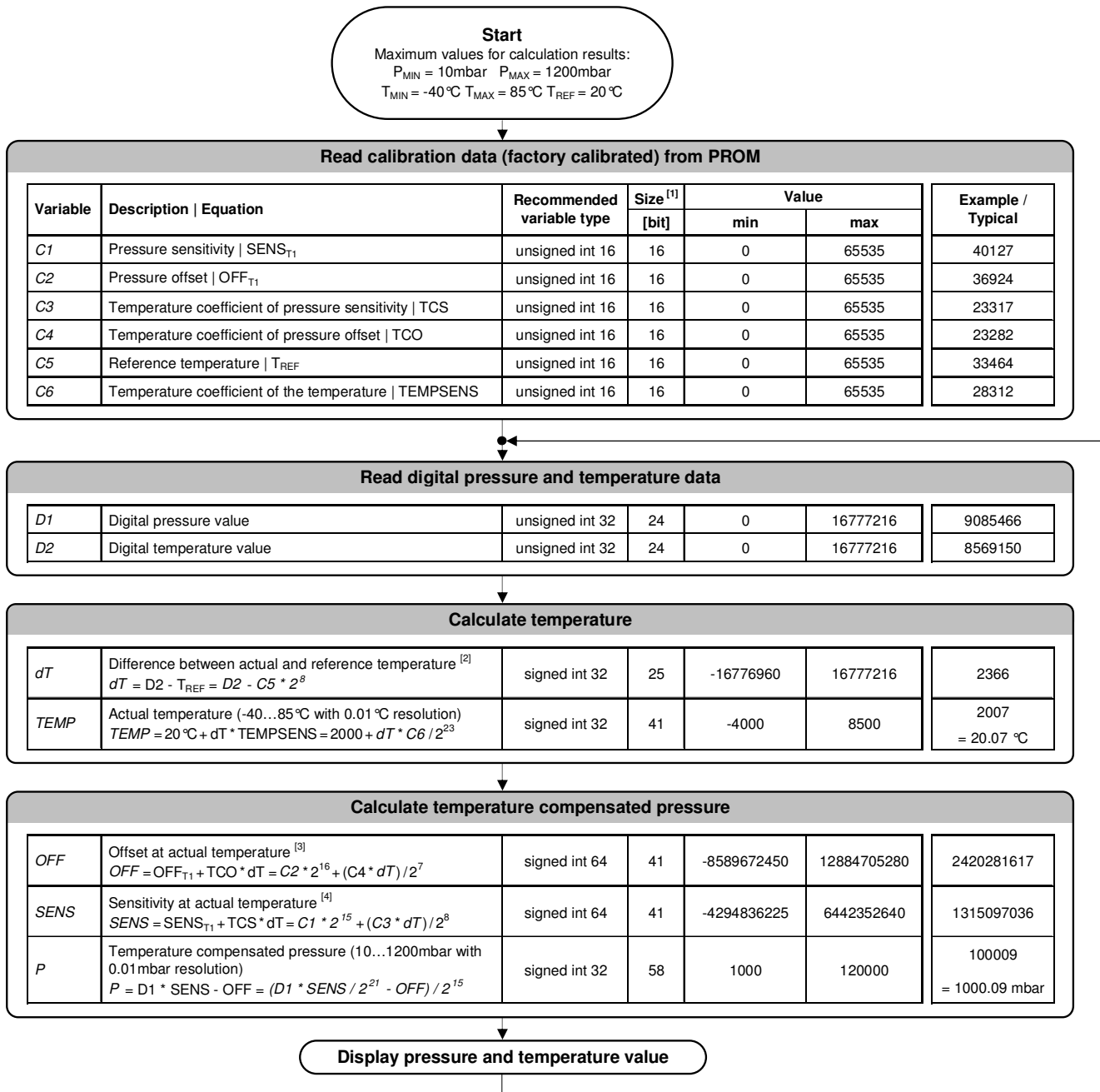
COMMANDS

The MS5611-01BA has only five basic commands:

1. Reset
2. Read PROM (128 bit of calibration words)
3. D1 conversion
4. D2 conversion
5. Read ADC result (24 bit pressure / temperature)

MS5611-01BA03 Variometer Module, with stainless steel cap

PRESSURE AND TEMPERATURE CALCULATION



Notes

- [1] Maximal size of intermediate result during evaluation of variable
- [2] min and max have to be defined
- [3] min and max have to be defined
- [4] min and max have to be defined

Figure 2: Flow chart for pressure and temperature reading and software compensation.

MS5611-01BA03 Variometer Module, with stainless steel cap

SECOND ORDER TEMPERATURE COMPENSATION

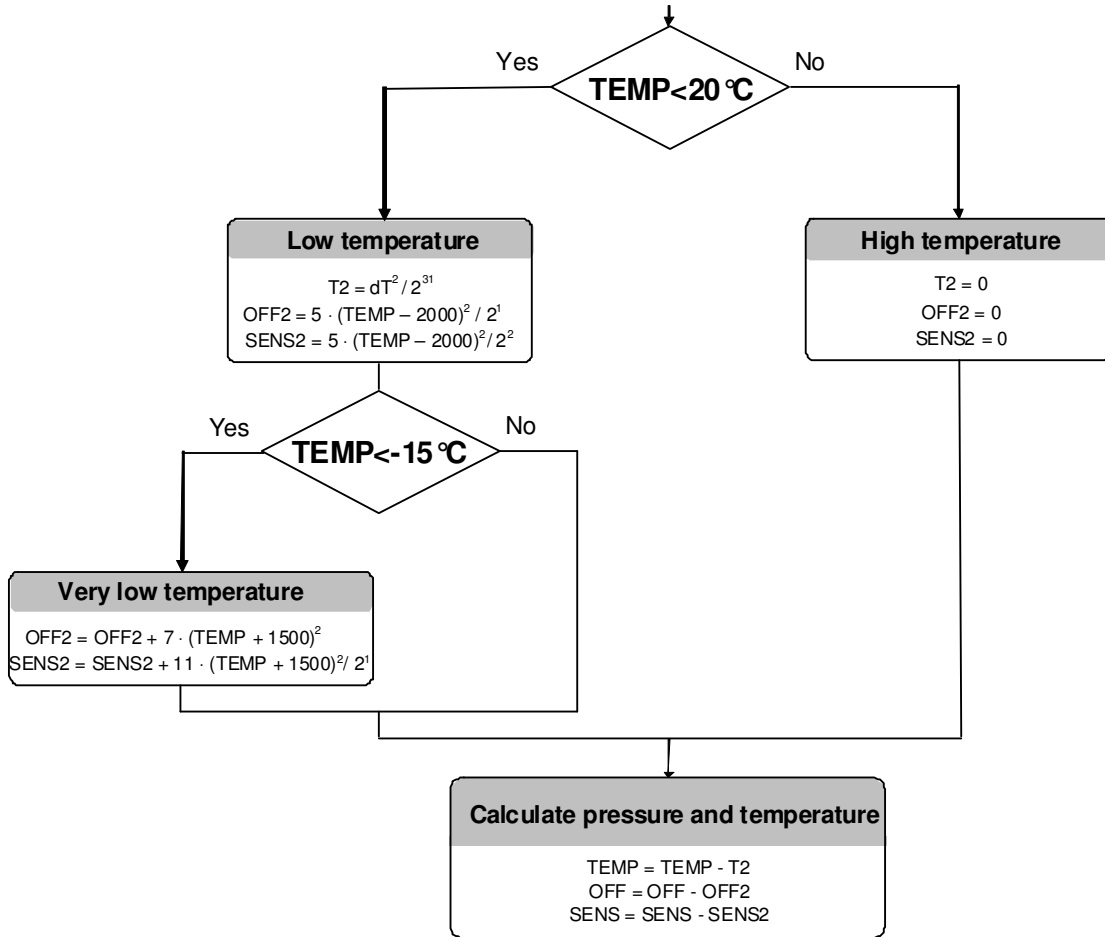


Figure 3: Flow chart for pressure and temperature to the optimum accuracy.

MS5611-01BA03 Variometer Module, with stainless steel cap

SPI INTERFACE

COMMANDS

Size of each command is 1 byte (8 bits) as described in the table below. After ADC read commands the device will return 24 bit result and after the PROM read 16bit result. The address of the PROM is embedded inside of the PROM read command using the a2, a1 and a0 bits.

| Bit number | Command byte | | | | | | | | hex value |
|-----------------------|--------------|-----|---|-----|-------------|-------------|-------------|------|-----------------|
| | 0 | 1 | 2 | 3 | 4 | 5 | 6 | 7 | |
| Bit name | PR M | COV | - | Typ | Ad2/ Os2 | Ad1/ Os1 | Ad0/ Os0 | Stop | |
| Command | | | | | | | | | |
| Reset | 0 | 0 | 0 | 1 | 1 | 1 | 1 | 0 | 0x1E |
| Convert D1 (OSR=256) | 0 | 1 | 0 | 0 | 0 | 0 | 0 | 0 | 0x40 |
| Convert D1 (OSR=512) | 0 | 1 | 0 | 0 | 0 | 0 | 1 | 0 | 0x42 |
| Convert D1 (OSR=1024) | 0 | 1 | 0 | 0 | 0 | 1 | 0 | 0 | 0x44 |
| Convert D1 (OSR=2048) | 0 | 1 | 0 | 0 | 0 | 1 | 1 | 0 | 0x46 |
| Convert D1 (OSR=4096) | 0 | 1 | 0 | 0 | 1 | 0 | 0 | 0 | 0x48 |
| Convert D2 (OSR=256) | 0 | 1 | 0 | 1 | 0 | 0 | 0 | 0 | 0x50 |
| Convert D2 (OSR=512) | 0 | 1 | 0 | 1 | 0 | 0 | 1 | 0 | 0x52 |
| Convert D2 (OSR=1024) | 0 | 1 | 0 | 1 | 0 | 1 | 0 | 0 | 0x54 |
| Convert D2 (OSR=2048) | 0 | 1 | 0 | 1 | 0 | 1 | 1 | 0 | 0x56 |
| Convert D2 (OSR=4096) | 0 | 1 | 0 | 1 | 1 | 0 | 0 | 0 | 0x58 |
| ADC Read | 0 | 0 | 0 | 0 | 0 | 0 | 0 | 0 | 0x00 |
| PROM Read | 1 | 0 | 1 | 0 | Ad2 | Ad1 | Ad0 | 0 | 0xA0 to 0xAE |

Figure 4: Command structure

RESET SEQUENCE

The Reset sequence shall be sent once after power-on to make sure that the calibration PROM gets loaded into the internal register. It can be also used to reset the device ROM from an unknown condition

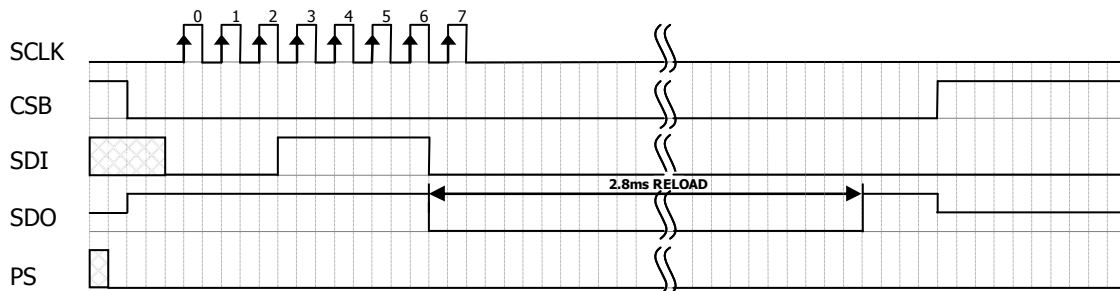


Figure 5: Reset command sequence SPI mode 0

MS5611-01BA03 Variometer Module, with stainless steel cap

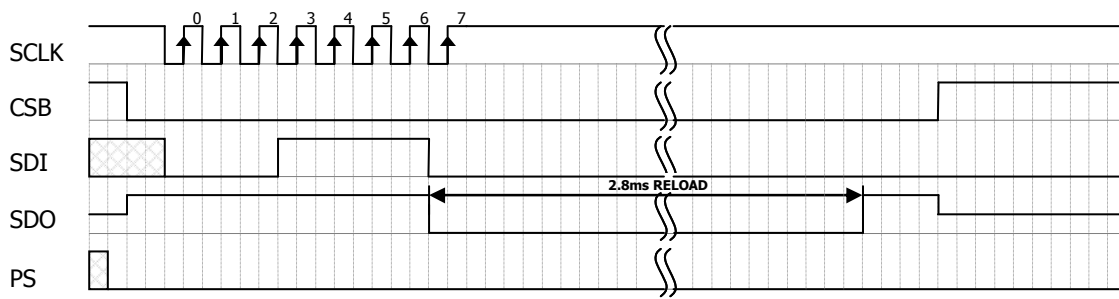


Figure 6: Reset command sequence SPI mode 3

CONVERSION SEQUENCE

The conversion command is used to initiate uncompensated pressure (D1) or uncompensated temperature (D2) conversion. The chip select can be disabled during this time to communicate with other devices. After the conversion, using ADC read command the result is clocked out with the MSB first. If the conversion is not executed before the ADC read command, or the ADC read command is repeated, it will give 0 as the output result. If the ADC read command is sent during conversion the result will be 0, the conversion will not stop and the final result will be wrong. Conversion sequence sent during the already started conversion process will yield incorrect result as well.

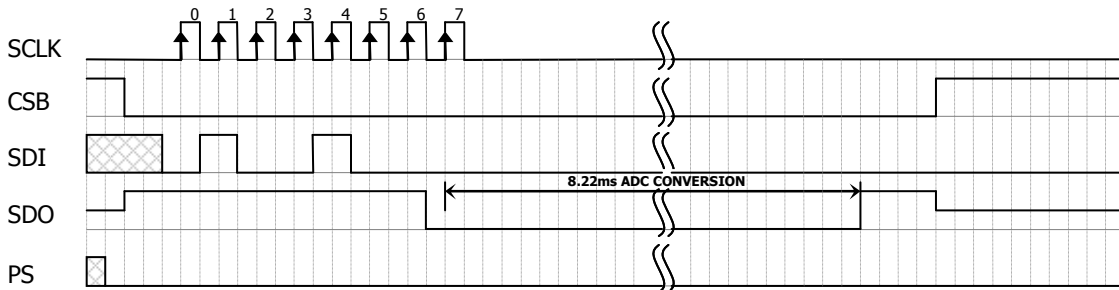


Figure 7: Conversion out sequence, Typ=d1, OSR = 4096

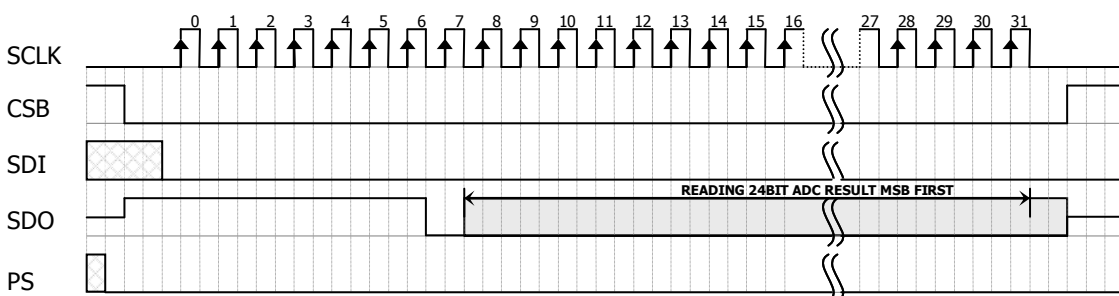


Figure 8: ADC Read sequence

PROM READ SEQUENCE

The read command for PROM shall be executed once after reset by the user to read the content of the calibration PROM and to calculate the calibration coefficients. There are in total 8 addresses resulting in a total memory of 128 bit. Address 0 contains factory data and the setup, addresses 1-6 calibration coefficients and address 7 contains the serial code and CRC. The command sequence is 8 bits long with a 16 bit result which is clocked with the MSB first.

MS5611-01BA03 Variometer Module, with stainless steel cap

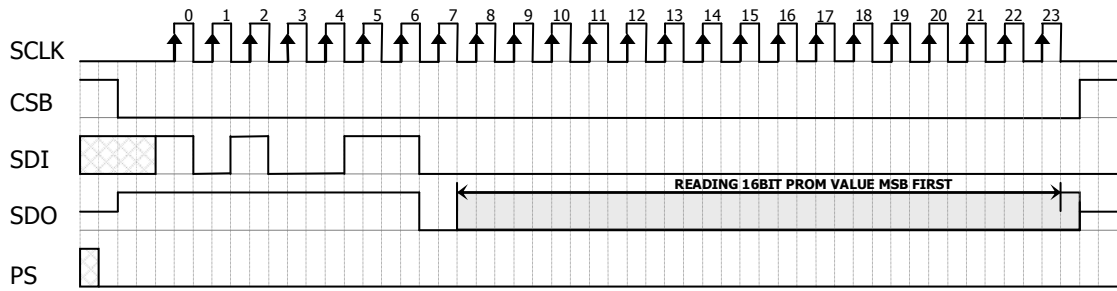


Figure 9: PROM Read sequence, address = 011 (Coefficient 3).

I²C INTERFACE

COMMANDS

Each I²C communication message starts with the start condition and it is ended with the stop condition. The MS5611-01BA address is 111011Cx, where C is the complementary value of the pin CSB. Since the IC does not have a microcontroller inside, the commands for I²C and SPI are quite similar.

RESET SEQUENCE

The reset can be sent at any time. In the event that there is not a successful power on reset this may be caused by the SDA being blocked by the module in the acknowledge state. The only way to get the MS5611-01BA to function is to send several SCLKs followed by a reset sequence or to repeat power on reset.

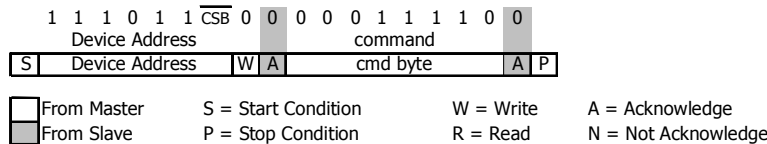


Figure 10: I²C Reset Command

PROM READ SEQUENCE

The PROM Read command consists of two parts. First command sets up the system into PROM read mode. The second part gets the data from the system.

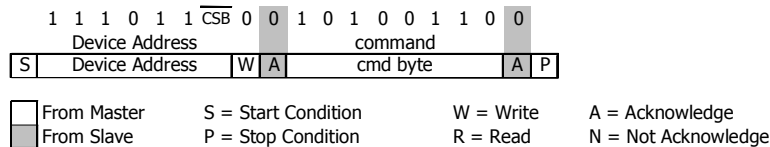


Figure 11: I²C Command to read memory address= 011 (Coefficient 3)

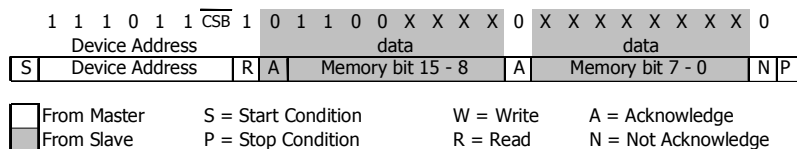


Figure 12: I²C answer from MS5611-01BA

MS5611-01BA03 Variometer Module, with stainless steel cap

CONVERSION SEQUENCE

A conversion can be started by sending the command to MS5611-01BA. When command is sent to the system it stays busy until conversion is done. When conversion is finished the data can be accessed by sending a Read command, when an acknowledge appears from the MS5611-01BA, 24 SCLK cycles may be sent to receive all result bits. Every 8 bit the system waits for an acknowledge signal.

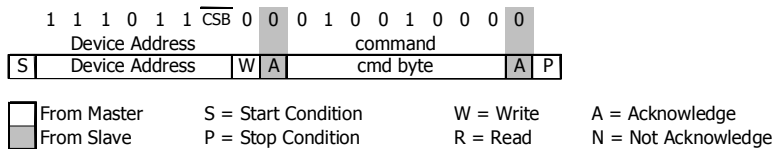


Figure 13: I²C Command to initiate a pressure conversion (OSR=4096, typ=D1)

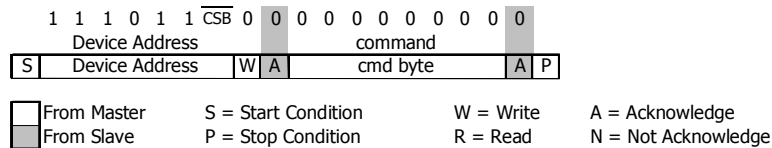


Figure 14: I²C ADC read sequence

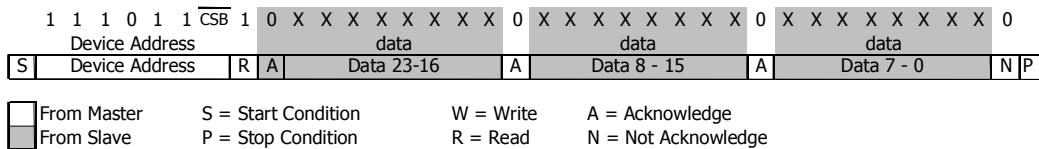


Figure 15: I²C answer from MS5611-01BA

CYCLIC REDUNDANCY CHECK (CRC)

MS5611-01BA contains a PROM memory with 128-Bit. A 4-bit CRC has been implemented to check the data validity in memory. The application note AN520 describes in detail CRC-4 code used.

| | | | | | | | | | | | | | | | | | |
|---|----------------------------------|---|---|---|---|---|---|---|---|---|---|---|---|---|---|---|-----|
| A | D | D | D | D | D | D | D | D | D | D | D | D | D | D | D | D | D |
| d | B | B | B | B | B | B | B | B | B | B | B | B | B | B | B | B | B |
| d | 1 | 1 | 1 | 1 | 1 | 1 | 9 | 8 | 7 | 6 | 5 | 4 | 3 | 2 | 1 | 0 | |
| 0 | 16 bit reserved for manufacturer | | | | | | | | | | | | | | | | |
| 1 | Coefficient 1 (16 bit unsigned) | | | | | | | | | | | | | | | | |
| 2 | Coefficient 2 (16 bit unsigned) | | | | | | | | | | | | | | | | |
| 3 | Coefficient 3 (16 bit unsigned) | | | | | | | | | | | | | | | | |
| 4 | Coefficient 4 (16 bit unsigned) | | | | | | | | | | | | | | | | |
| 5 | Coefficient 5 (16 bit unsigned) | | | | | | | | | | | | | | | | |
| 6 | Coefficient 6 (16 bit unsigned) | | | | | | | | | | | | | | | | |
| 7 | | | | | | | | | | | | | | | | | CRC |

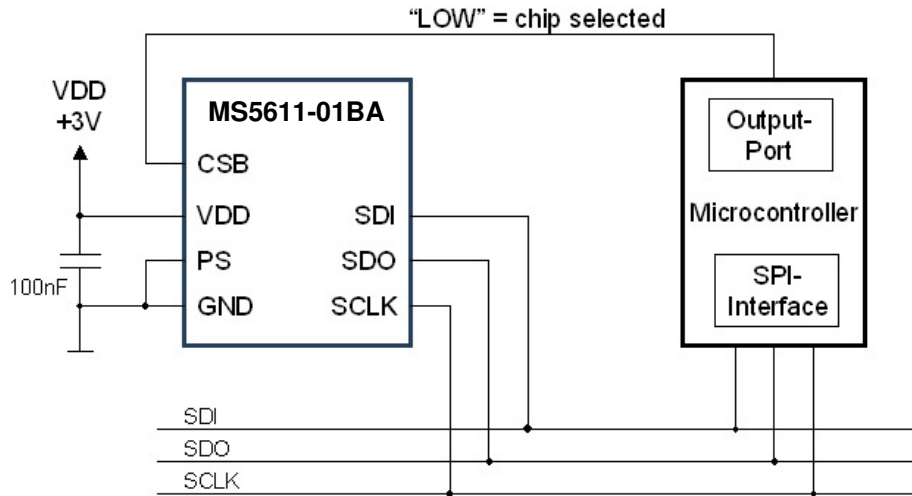
Figure 16: Memory PROM mapping

MS5611-01BA03 Variometer Module, with stainless steel cap

APPLICATION CIRCUIT

The MS5611-01BA is a circuit that can be used in conjunction with a microcontroller in mobile altimeter applications. It is designed for low-voltage systems with a supply voltage of 3 V.

SPI protocol communication



I²C protocol communication

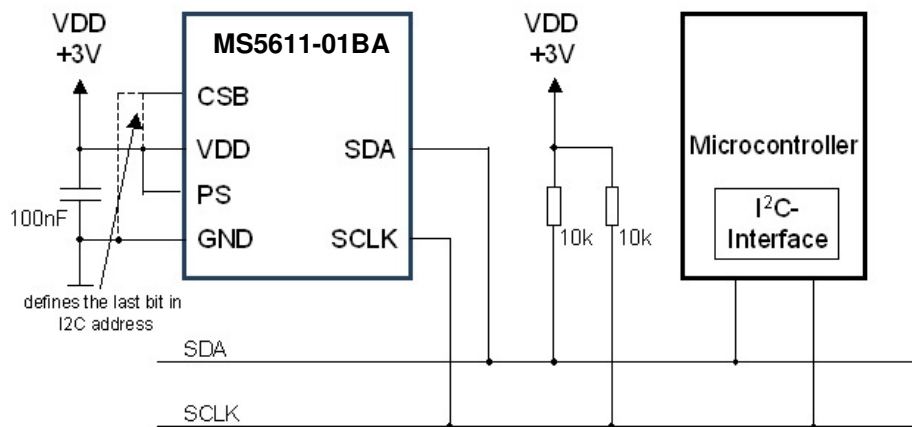
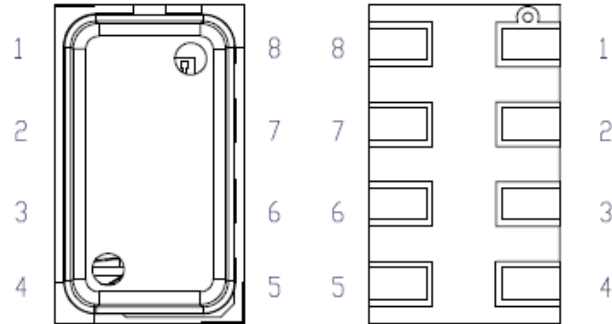


Figure 17: Typical application circuit with SPI / I²C protocol communication

MS5611-01BA03 Variometer Module, with stainless steel cap

PIN CONFIGURATION

| Pin | Name | Type | Function |
|-----|--------------|--------|---|
| 1 | VDD | P | Positive supply voltage |
| 2 | PS | I | Protocol select PS high (VDD) → I ² C PS low (GND) → SPI |
| 3 | GND | G | Ground |
| 4 | CSB | I | Chip select (active low), internal connection |
| 5 | | | |
| 6 | SDO | O | Serial data output |
| 7 | SDI / SDA | I / IO | Serial data input / I ² C data IO |
| 8 | SCLK | I | Serial data clock |



DEVICE PACKAGE OUTLINE

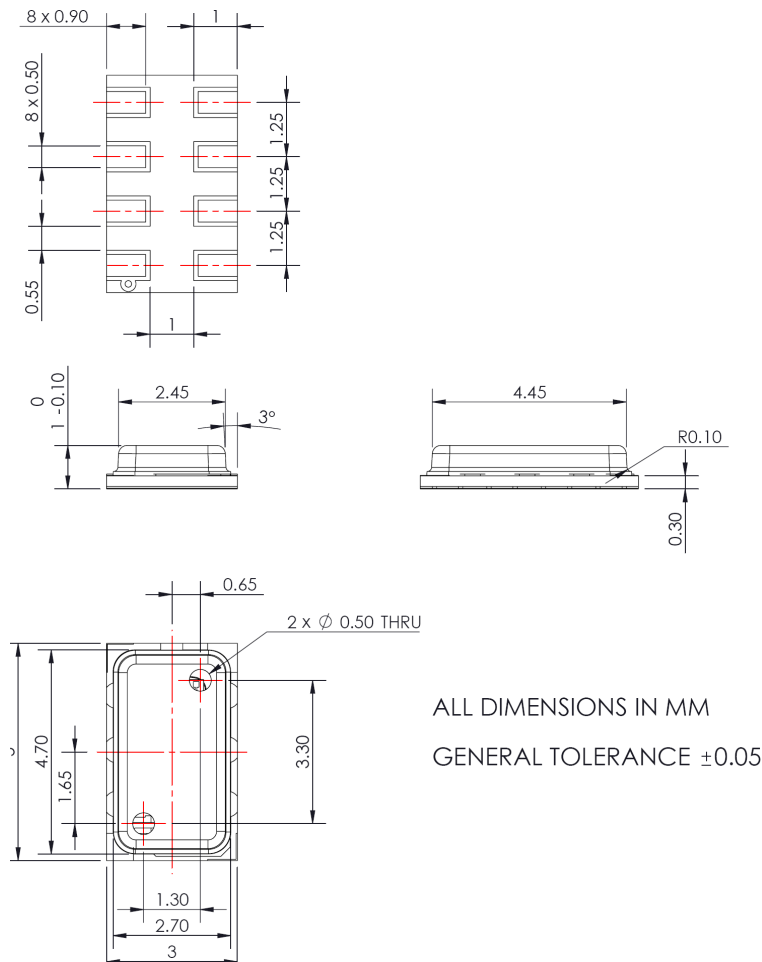
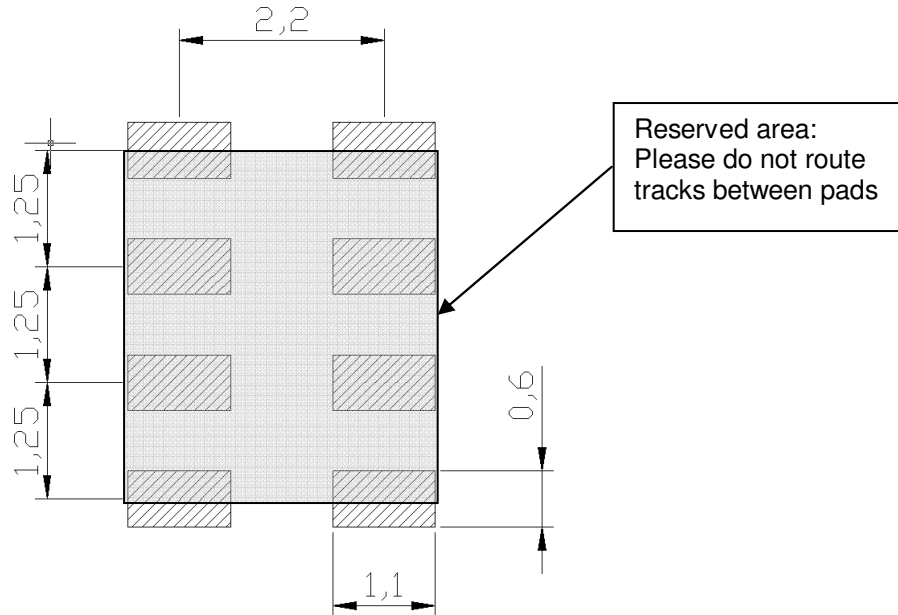


Figure 18: MS5611-01BA03 package outline

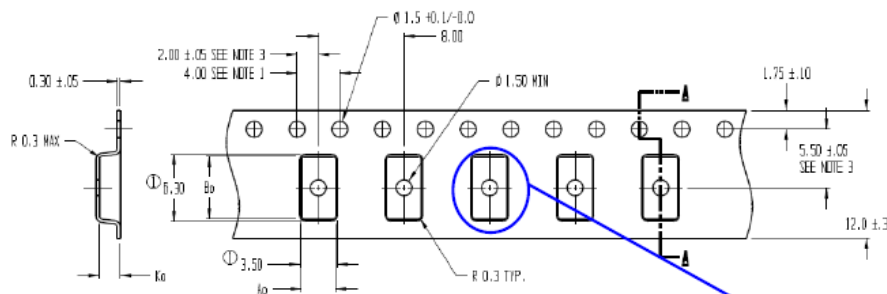
MS5611-01BA03 Variometer Module, with stainless steel cap

RECOMMENDED PAD LAYOUT

Pad layout for bottom side of the MS5611-01BA soldered onto printed circuit board.



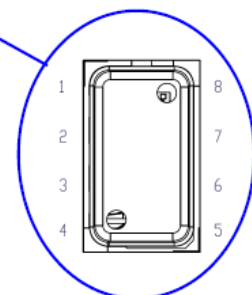
SHIPPING PACKAGE



SECTION A-A

h₀ = 3.25
h₁ = 5.85
h₂ = 2.00

- NOTES:
1. TO SPROCKET HOLE PITCH CUMULATIVE TOLERANCE: 0.2
2. CHAMFER IN COMPLIANCE WITH IEC 481
3. POKET POSITION RELATIVE TO SPROCKET HOLE MEASURED AS TRUE POSITION OF POKET, NOT POKET HOLE



MS5611-01BA03 Variometer Module, with stainless steel cap

MOUNTING AND ASSEMBLY CONSIDERATIONS

SOLDERING

Please refer to the application note AN808 available on our website for all soldering issues.

MOUNTING

The MS5611-01BA can be placed with automatic Pick & Place equipment using vacuum nozzles. It will not be damaged by the vacuum. Due to the low stress assembly the sensor does not show pressure hysteresis effects. It is important to solder all contact pads.

CONNECTION TO PCB

The package outline of the module allows the use of a flexible PCB for interconnection. This can be important for applications in watches and other special devices.

CLEANING

The MS5611-01BA has been manufactured under cleanroom conditions. It is therefore recommended to assemble the sensor under class 10'000 or better conditions. Should this not be possible, it is recommended to protect the sensor opening during assembly from entering particles and dust. To avoid cleaning of the PCB, solder paste of type "no-clean" shall be used. Cleaning might damage the sensor!

ESD PRECAUTIONS

The electrical contact pads are protected against ESD up to 4 kV HBM (human body model). It is therefore essential to ground machines and personnel properly during assembly and handling of the device. The MS5611-01BA is shipped in antistatic transport boxes. Any test adapters or production transport boxes used during the assembly of the sensor shall be of an equivalent antistatic material.

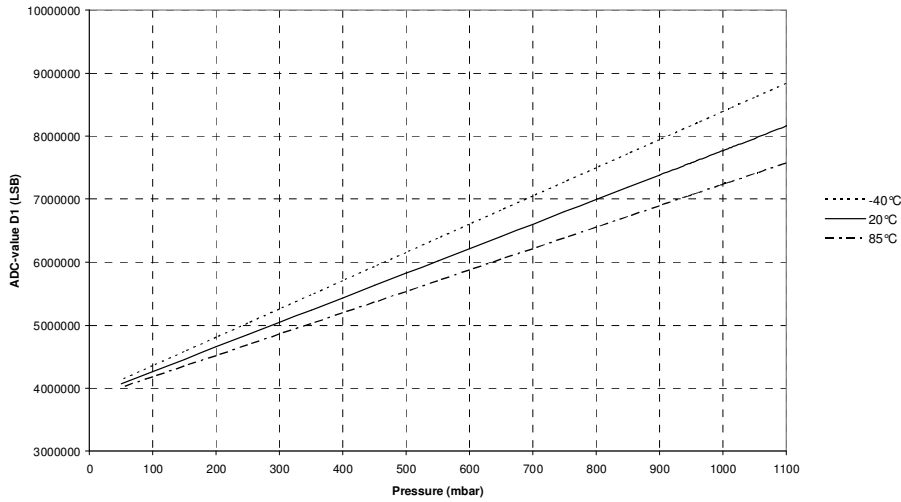
DECOUPLING CAPACITOR

Particular care must be taken when connecting the device to the power supply. A 100 nF ceramic capacitor must be placed as close as possible to the MS5611-01BA VDD pin. This capacitor will stabilize the power supply during data conversion and thus, provide the highest possible accuracy.

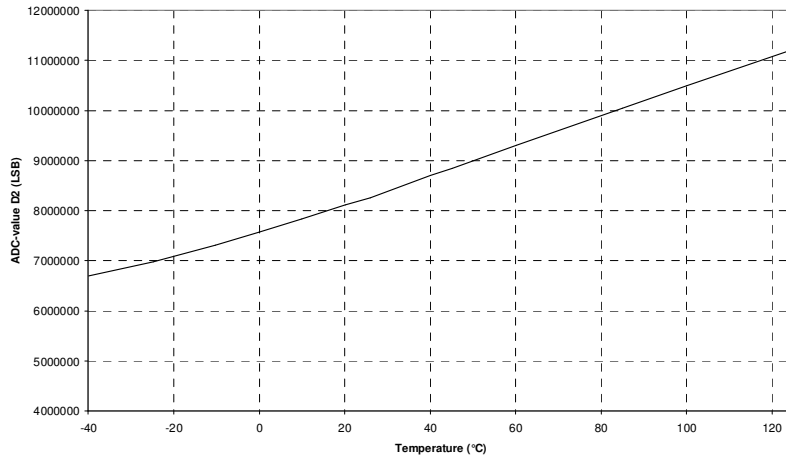
MS5611-01BA03 Variometer Module, with stainless steel cap

TYPICAL PERFORMANCE CHARACTERISTICS

ADC-value D1 vs Pressure (typical)



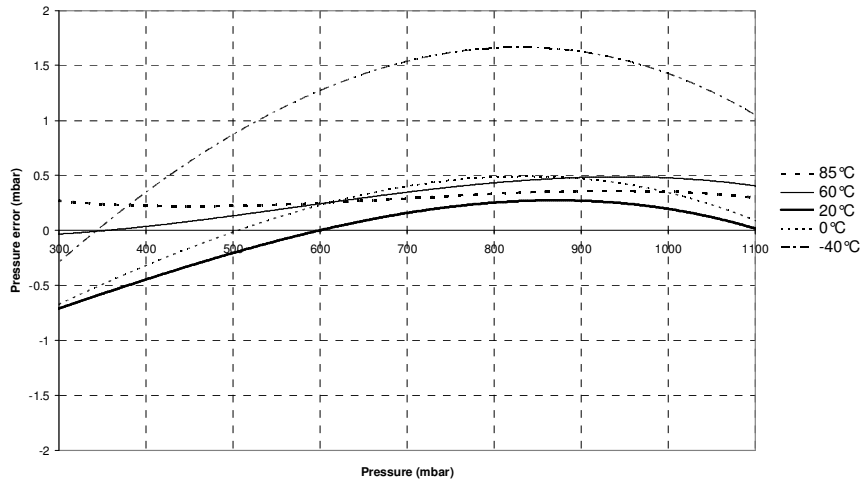
ADC-value D2 vs Temperature (typical)



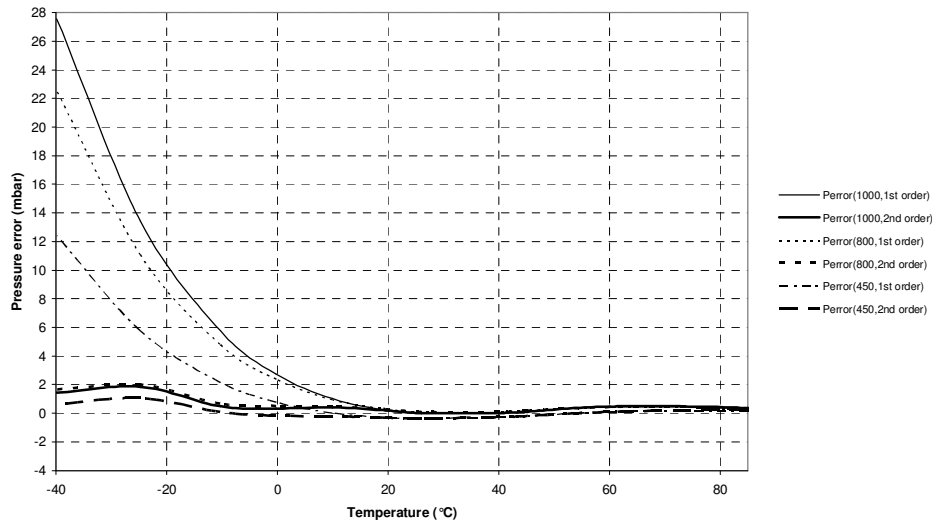
MS5611-01BA03 Variometer Module, with stainless steel cap

TYPICAL PERFORMANCE CHARACTERISTICS (CONTINUED)

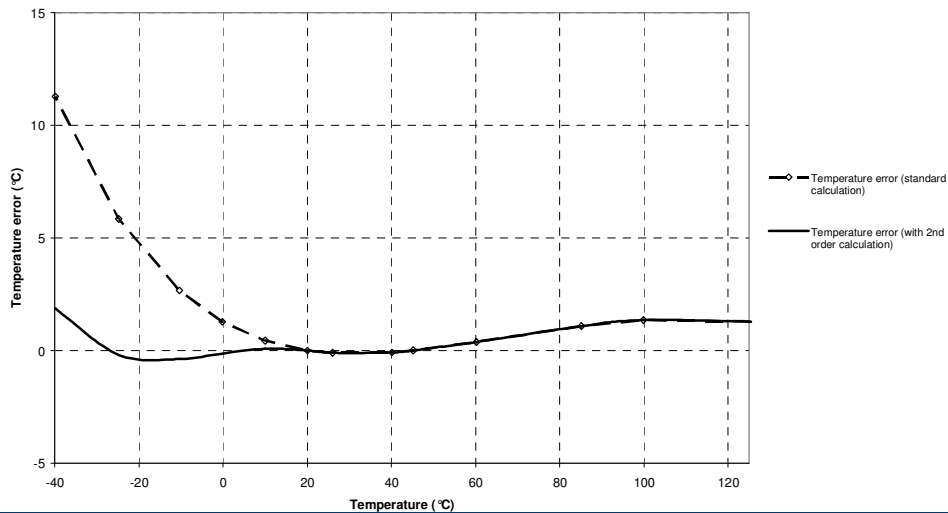
Absolute Pressure Accuracy after Calibration, 2nd order compensation



Pressure Error Accuracy vs temperature (typical)



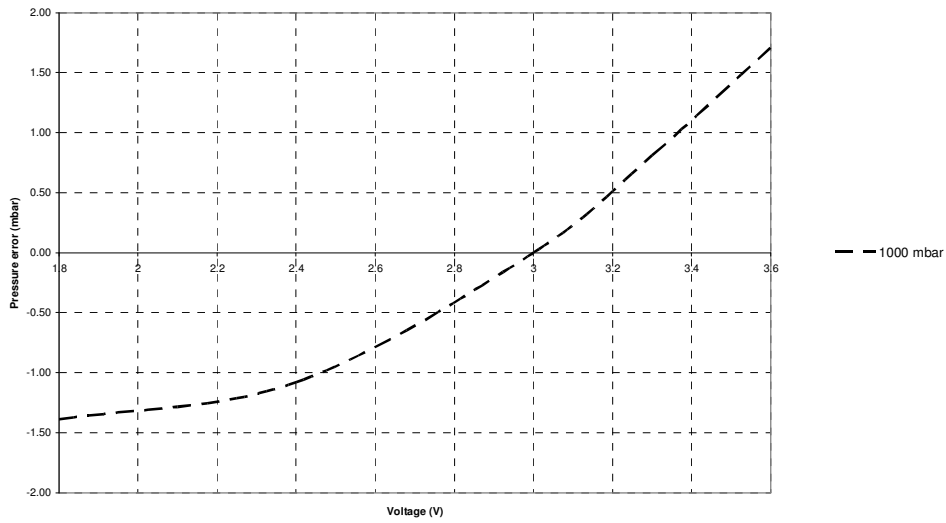
Temperature Error Accuracy vs temperature (typical)



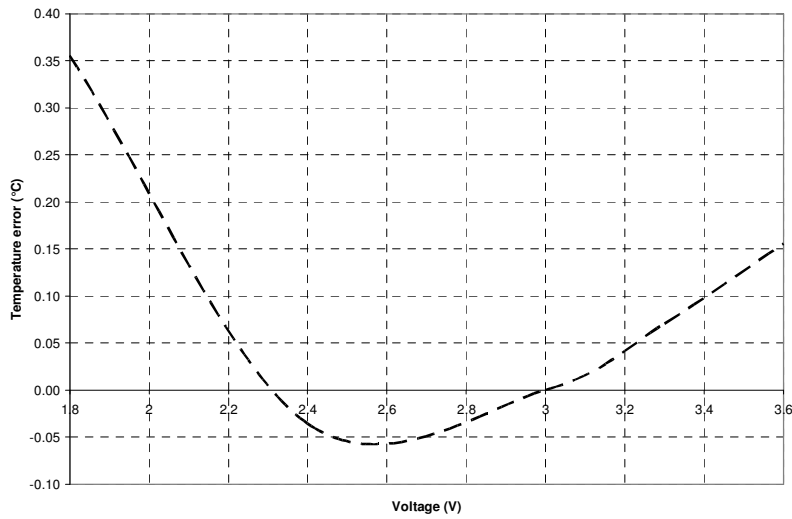
MS5611-01BA03 Variometer Module, with stainless steel cap

TYPICAL PERFORMANCE CHARACTERISTICS (CONTINUED)

Pressure error vs supply voltage (typical)



Temperature error vs supply voltage (typical)



MS5611-01BA03 Variometer Module, with stainless steel cap

ORDERING INFORMATION

| Product Code | Product | Art. No |
|---------------|-------------------------------------|-----------------|
| MS5611-01BA03 | Variometer Module Thin Metal Cap | MS561101BA03-50 |

NORTH AMERICA

Measurement Specialties
45738 Northport Loop West
Fremont, CA 94538

Tel: +1 800 767 1888
Fax: +1 510 498 1578
e-mail: pfg.cs.amer@meas-spec.com
Website: www.meas-spec.com

EUROPE

MEAS Switzerland Sàrl
Ch. Chapons-des-Prés 11
CH-2022 Bevaix

Tel: +41 32 847 9550
Fax: + 41 32 847 9569
e-mail: sales.ch@meas-spec.com
Website: www.meas-spec.com

ASIA

北京赛斯维测控技术有限公司
北京市朝阳区望京西路48号
金隅国际C座1002

电话: +86 010 8477 5646
传真: +86 010 5894 9029
邮箱: sales@sensorway.cn
<http://www.sensorway.cn>

The information in this sheet has been carefully reviewed and is believed to be accurate; however, no responsibility is assumed for inaccuracies. Furthermore, this information does not convey to the purchaser of such devices any license under the patent rights to the manufacturer. Measurement Specialties, Inc. reserves the right to make changes without further notice to any product herein. Measurement Specialties, Inc. makes no warranty, representation or guarantee regarding the suitability of its product for any particular purpose, nor does Measurement Specialties, Inc. assume any liability arising out of the application or use of any product or circuit and specifically disclaims any and all liability, including without limitation consequential or incidental damages. Typical parameters can and do vary in different applications. All operating parameters must be validated for each customer application by customer's technical experts. Measurement Specialties, Inc. does not convey any license under its patent rights nor the rights of others.